



GEO INTEGRATION CO., LTD.

Calibration Sheet : Load Cell

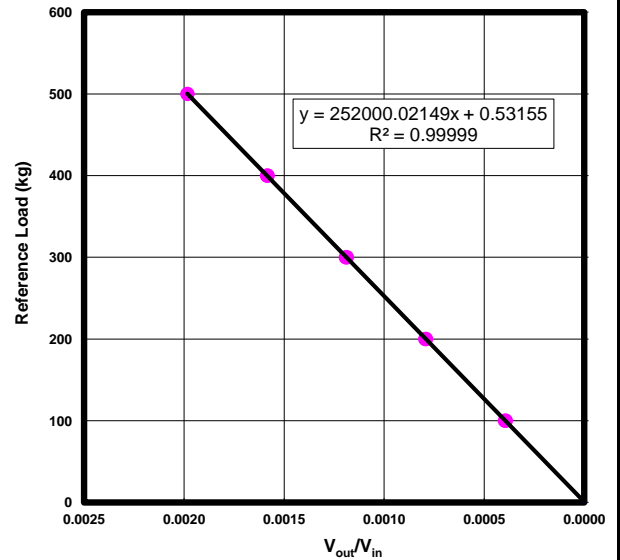
Load Cell

Serial No. = 201708127
 Capacity = 500 kg
 Tested by = KITTAPAS
 Calibration Date = 20/9/2017

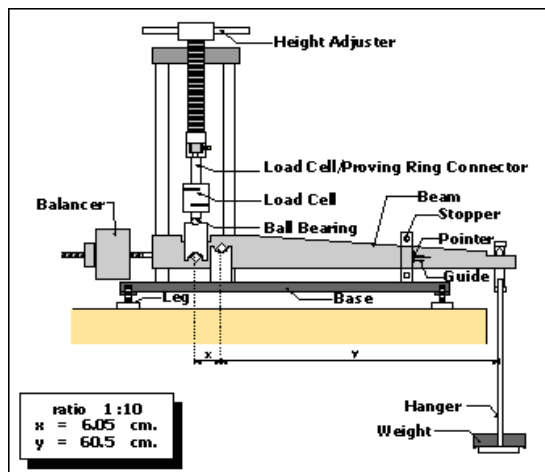
Calibration Factor = 252000.02 kg/(V/V)
 $r^2 = 0.99999$

Results of Calibration

| Increment No. | Actual Load (kg) | Load Cell Reading | | V_{out}/V_{in} |
|---------------|------------------|-------------------|-----------|------------------|
| | | Vout (V) | Vin (V) | |
| 1 | 0 | -0.000036 | 10.108470 | -0.000004 |
| 2 | 100 | 0.003966 | 10.108424 | 0.000392 |
| 3 | 200 | 0.007996 | 10.108482 | 0.000791 |
| 4 | 300 | 0.011993 | 10.108482 | 0.001186 |
| 5 | 400 | 0.015994 | 10.108505 | 0.001582 |
| 6 | 500 | 0.020045 | 10.108505 | 0.001983 |
| 7 | 400 | 0.016022 | 10.108540 | 0.001585 |
| 8 | 300 | 0.012044 | 10.108540 | 0.001119 |
| 9 | 200 | 0.008032 | 10.108586 | 0.00079 |
| 10 | 100 | 0.004008 | 10.108551 | 0.00040 |
| 11 | 0 | -0.000016 | 10.108609 | 0.00000 |



Load



ratio 1:10
 $x = 6.05$ cm.
 $y = 60.5$ cm.

$x = 6.05$ cm.
 $y = 60.5$ cm.



Ratio = 1:10